

# Amplify

## Commercial CO Protection SL-701 Duct Mounted CO Detectors



Duct Mounted CO Detector continuously monitors level of Carbon Monoxide at the common offender of CO emissions: Central AHU

THE NEW **SL-701 DETECTOR** SAMPLES THE AIR STREAM AT THE AHU SUPPLY AND/OR RETURN. IN THE EVENT DANGEROUS LEVELS OF CO ARE DETECTED, THE SL-701 MAY SHUT DOWN THE AHU TO PREVENT THE SPREAD OF HARMFUL GAS TO OCCUPIED SPACE.



THE **MSR-50/CO** REMOTE INDICATOR AUDIBLY AND VISUALLY NOTIFIES FACILITY SAFETY MANAGEMENT OF THE SITUATION.

### Gain Trust and Confidence as a Complete Solutions Provider



The SL-701 Duct Carbon Monoxide Detector provides early detection of carbon monoxide in air moving through the HVAC duct supply, return, or both in commercial, industrial, or residential applications.

NFPA 720-2009 standardizes CO detection for all buildings, to include schools, hotels, nursing homes and other commercial structures.

Increasingly, states are passing specific carbon monoxide detector legislation. Knowing your state(s) laws are a great way to inform your customers of requirements and increase revenue through SL-701 installations.

### Healthier Environment with a Proactive Life Safety Slant



Designed to prevent the circulation or spread of invisible, toxic CO by air handlers, fans and blowers, complete systems may be shut down in an alarm state.

When an SL-701 is installed, facility management is alerted to CO exposure the instant dangerous levels are detected within the ductwork, prior to full circulation into the conditioned space.

Without an SL-701, as CO circulates beyond the ductwork into open areas, it is diluted with fresher air. It takes a longer span of time for CO concentrations to accumulate and point-style CO detectors, while effective, may be later to react.

### Easy To Order, Install, Test and Perform Regular Maintenance



The SL-701-KIT is available, offering the convenience of a complete package containing:

- SL-701 Duct CO Detector
- FAST Tube sampling tubes
- MSR-50/CO Remote Accessory featuring Temp-4 audible and LED-based strobe visual alarm indications
- Mounting templates, hardware and installation instructions

Also available:

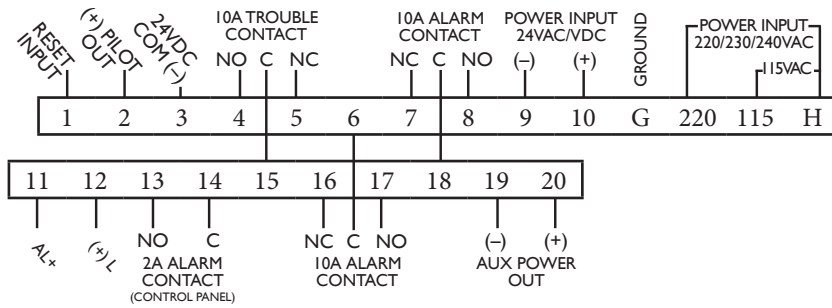
- TG-701 Aerosol CO for testing
- AV-Checker - Measures air velocity
- Duct-Checker - Measures pressure differential to confirm proper duct detector operation

PROUD TO BE MADE IN THE USA BY

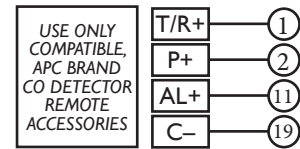
**AIR PRODUCTS  
AND  
CONTROLS** 

www.ap-c.com • 888-332-2241

## WIRING



## MSR-50/CO WIRING



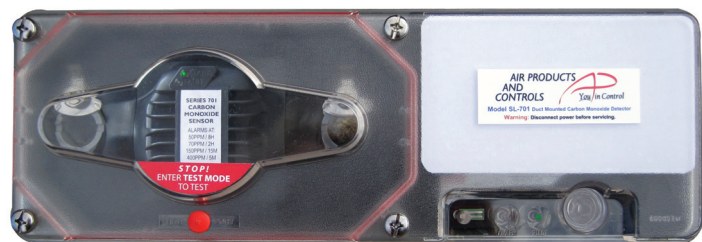
## PRODUCT SPECIFICATIONS

MODEL NUMBER:	<b>SL-701</b>	230VAC, 115VAC, 24VAC, 24VDC
SENSOR MODEL NUMBER:	<b>SL-701</b>	7-CO
SAMPLING TUBES:	<b>FAST Tube</b>	Sectional sampling tube, kit fits up to 90" duct width
	<b>STN-2.5</b>	Metal sampling tube for 6" to 2.5' duct width
	<b>STN-5.0</b>	Metal sampling tube for 2.5' to 5.0' duct width
	<b>STN-10.0</b>	Metal sampling tube for 5.0' to 10.0' duct width
ACCESSORIES:	MSR-50/CO remote accessory TG-701 aerosol test gas T-PB power supplies WP-2000 weatherproof enclosure (All available from Air Products and Controls Inc.)	
POWER REQUIREMENTS:	Input Power	Standby Current    Alarm Current
	24VAC	55mA                    190mA
	24VDC	14mA                    68mA
	115VAC	22mA                    32mA
	230VAC	12mA                    18mA
RELAY CONTACT RATING:	Alarm Contacts:                    Resistive load: 2 sets form "C" rated at 10 Amps @ 115VAC Resistive load: 1 set form "A" rated at 2 Amps	
	Trouble Contacts:                    Resistive load: 1 set form "C" rated at 10 Amps @ 115VAC	
AIR VELOCITY:	100 to 4,000 ft./min.	
AMBIENT TEMPERATURE:	32°F to 158°F (0°C to 70°C)	
HUMIDITY:	10% to 85% RH Non-Condensing / Non-Freezing	
WIRING:	Solid or stranded: #12 to #22 AWG terminals	
MATERIAL:	Grey plastic backbox, clear plastic cover (Makrolon 94V-0) Do not expose to corrosive atmospheres	
DIMENSIONS:	13 1/2" L x 4 1/2" W x 2 1/4" D	
MAX. NET WT.:	2 1/2 lbs.	
HARDWARE:	7" exhaust tube, sampling tube end cap, mounting template, and mounting hardware included	

The SL-701 is a CO system detector, it is not a smoke detector or a CO alarm. It detects CO as caused by fossil fuel fired appliances and/or as introduced from the outside in fresh air intakes in the HVAC system.

## PRODUCT FEATURES

- ❖ Hybrid-Style Sensor monitors at the National Standards set by OSHA (IAQ) and UL 2075/2034 (Life Safety)
- ❖ "Snap-in" Sensor is easily replaced at end-of-life
- ❖ Solid green LED on sensor head indicates normal operation
- ❖ Detector Test Mode allows for aerosol CO testing without cover removal using Test Port Valve
- ❖ Historical, retrievable reporting data stored at the unit
- ❖ Unit performs "hidden" self-test every 24 hours
- ❖ Patented "No-Tools Required" front or rear loading and removing sampling/exhaust tubes
- ❖ Interconnect up to 30 units for common functions
- ❖ Colored cover gasket indicates proper cover seal
- ❖ Advanced sensor design yields internal dust filtering
- ❖ No additional screens or filters to clean
- ❖ Compatible with Building Automation and Combination CO/Fire alarm systems
- ❖ Complete wiring details permanently attached to unit



PROUD TO BE MADE IN THE USA BY

**AIR PRODUCTS AND CONTROLS** *You in Control*

www.ap-c.com • 888-332-2241